



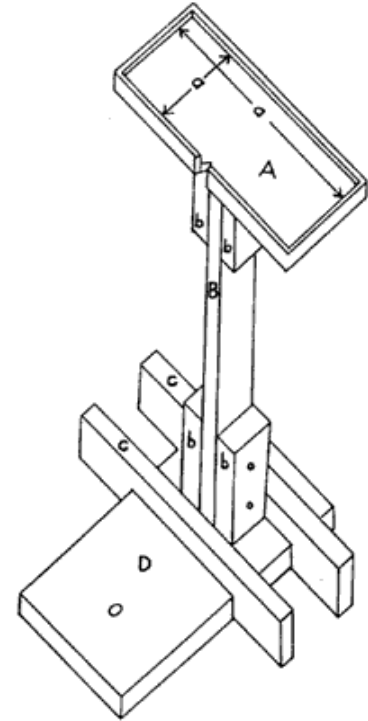
A Simple Muzzleloading Rifle or Shotgun Loading Stand

Loading and firing muzzleloading long guns is much safer and easier for beginners when a loading stand is used. The stand shown here may be made from remnants of construction lumber. It can be an excellent exhibit for a muzzleloader shooter, the foundation of a community service project for an experienced group of shooters or woodworkers or an individual project to extend the shooting activity further.

The stand angles the muzzle down-range from the vertical and away from the shooter's face and body. It also forms a stable platform for the rifle or shotgun during the loading process, while supplying a surface to hold the materials and equipment needed for shooting.

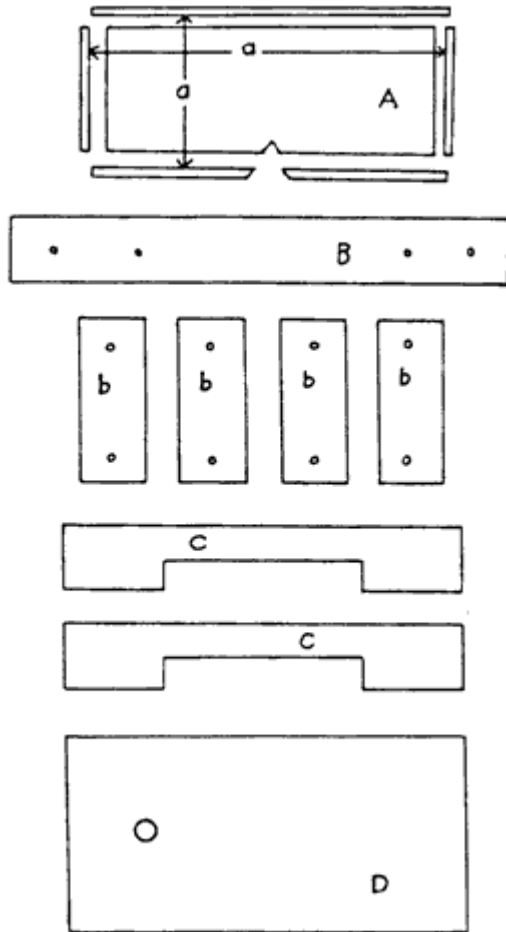
Materials/Equipment Needed

- 2 ft of 2 x 12 stock
- 1' 8" of 2 x 8 stock
- 10 ft of 2 x 4 stock
- 4 - 5" x 5/26" bolts with washers, lock washers and nuts
- 16d gold Ardox nails (about 16)
- 8d or 10d finishing nails (about 20)
- carpenter's glue
- saw (table saw or radial arm saw helpful, but not necessary)
- drill (drill press helpful, but not necessary)
- 5/16" drill bit
- 1" drill bit
- hammer
- wrench
- brush



Cutting and Assembly Directions

- 1.** Cut all 2-inch stock to length as outlined below. Take care to keep all edges square and true.
- 2.** Dado or notch and chisel the edges of the 24 inch 2 x 4 pieces to fit the width of the 2 x 12 exactly. Center the dado on the edge of the 2 x 4, leaving equal amounts of material on either side of it. Cut to the inside of any measures lines to get a snug fit.
- 3.** Cut a centered V-notch 1 - 2 inches wide on one long side of the 20-inch 2 x 8 piece.
- 4.** Center a point 4" in from one end of the 2 x 12 piece and bore a 1-inch hole to a depth of approximately 1 inch.
- 5.** Dry fit the side supports, placing one approximately 3 inches from the end of the 2 x 12 piece opposite the bored cavity, and the other the width of a 2 x 4 support inside it.
- 6.** Center the leg and leg supports between the side supports and mark their locations carefully.
- 7.** Glue and nail the side supports and leg supports in place from the underside of the base. Nail the leg supports to the side supports as well, keeping the edges parallel and the width of the leg apart.
- 8.** Center the leg and leg supports on the top and mark their locations carefully.



- 9.** Glue and nail the leg supports in place, keeping the edges parallel and the width of the leg apart.
- 10.** Cut the 1 x 2 stock to fit each end of the top. Glue and nail the strips in place leaving a lip on the upper side of the top.
- 11.** Cut a strip of the 1 x 2 stock to overlap the other 1 x 2 pieces on the back edge of the top, making a neat joint with the other materials.
- 12.** Glue and nail the back edging in place.
- 13.** Cut two pieces of 1 x 2 stock to fit the front of the top, keeping the outside edges square and cutting the inside edges at the same angle used in the notch.
- 14.** Glue and nail the front edging in place.
- 15.** Dry assemble the three parts.
- 16.** Bore two centered 5/16" holes through the top and bottom leg supports and leg, keeping the bit square.
- 17.** Install bolts in the holes, binding the legs and leg supports in place.
- 18.** The edges may be rounded if desired, and the surfaces may be sanded and finished with a spar varnish or painted as desired.